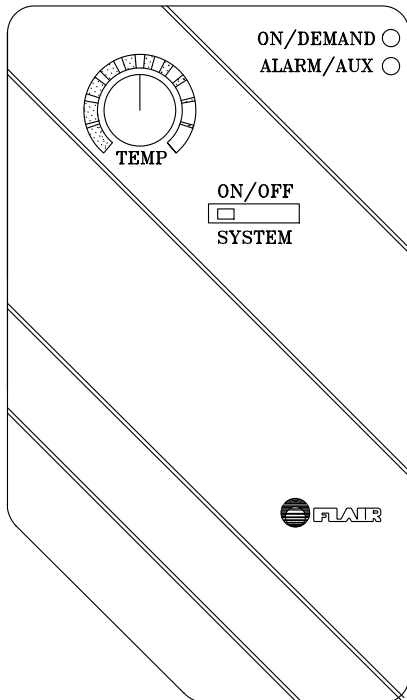


PROPORTIONAL ELECTRIC HEAT THERMOSTAT *series TE50*

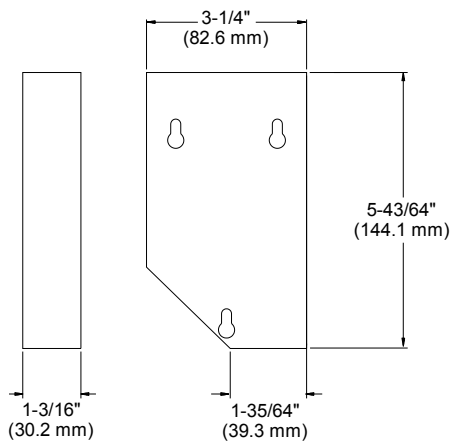
For proportional line voltage control of electric baseboard, element or any type of resistance heater.



BENEFITS & SPECIAL FEATURES

- Proportional output provides fast and accurate temperature control.
- Proportional integral control eliminates overshoot and droop.
- The most economical way to operate resistance heat. Proportional control provides just the energy that is required, significantly reducing demand and consumption.
- Easy setting.
- No batteries required.
- Remote temperature sensor (optional).
- Manual on/off override.
- Electronic temperature limiting and locking.
- Low and high limit temperature alarm can activate a dry contact to switch an external control.
- System status indicators.
- Single pole/single throw and double pole /single throw models.
- Warmer/cooler scale standard.
- Fahrenheit and Celsius scales included.
- Models to accommodate 120/208/230/277 vac.

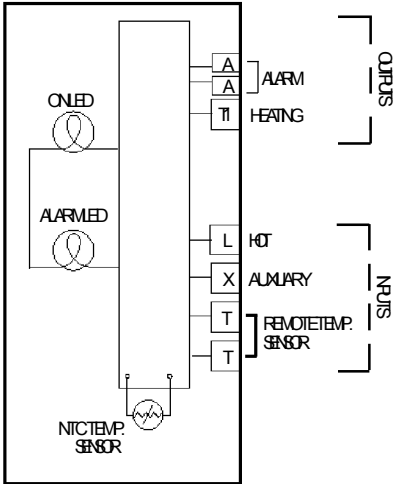
DIMENSIONS



SPECIFICATIONS

Operating Voltage:	120/208/230/ 277 vac (-15%, +10%, 50-60 Hz)
Temperature Range:	50°F - 90°F (10°C - 32°C)
Temperature Differential:	
Heating:	approximately ±0.8°F (.4°C)
Sensor System:	Negative Temperature Coefficient (NTC)
Standard:	internal
Optional:	remote temperature
Switches:	
Slide:	ON/OFF
Rotating:	set TEMPerature
Indicator LED's:	ON (Steady Green) / DEMAND +/- (Flashing Green) ALARM (Flashing Red) / AUX (Steady Red)
Security:	Electronic temperature limiting and locking
Dimensions:	5 ⁴³ / ₆₄ x 3 ¹ / ₄ x 1 ³ / ₁₆ Inches (144.1 x 82.6 x 30.2 mm)

MODEL NUMBERS AND DESCRIPTIONS FOR VARIOUS APPLICATIONS



Model Number: TE501040; 120 vac

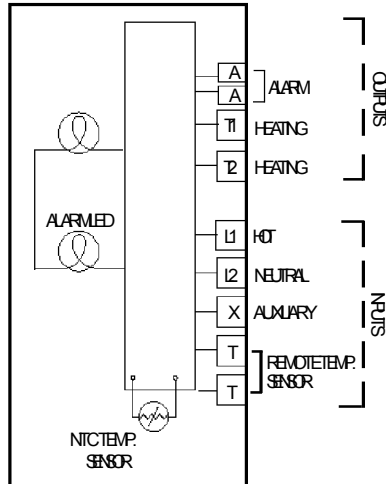
Description: Electric heat SPST

Switching Current at rated voltage:

120 vac: minimum 22 Amps

Alarm: minimum 1 Amp

Weight: .4 lbs. (880 g)



Model Number: TE501050; 208 vac
TE501070; 230 vac
TE501090; 277 vac

Description: Electric heat DPST

Switching Current at rated voltage:

208-277 vac: minimum 19 Amps

Alarm: minimum 1 Amp

Weight: .4 lbs. (880 g)

ACCESSORIES

Remote Temperature Sensor TX101001

Backplates may be used to cover large holes in walls or mount to utility boxes:

horizontal TX201001
vertical TX202001
square TX203001

Transformers:

40 VA TR140100
20 VA TR120100

Relay Transformers:

20 VA (2) SPST 120 VAC relay TR440200
20 VA (1) SPST 120 VAC relay TR440300

APPLICATIONS

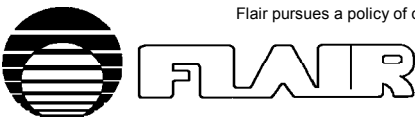
- Zone heating.
- Residential (Single or multi-family, Apartments, Co-ops, Condominiums).
- Commercial (Stores, Restaurants, Offices).
- Industrial
- Institutional (Hospitals, Hotels, Motels).

REFERENCES

For More Information On:	See:
Wiring, jumper, potentiometer settings and applications	Instruction sheet
Other thermostats	This section
Zone Actuators	Star Actuator section
Zone Valves	Star Valve section
Wiring Panels	Control Panels section
Warranty & pricing	Pricing & terms section



Flair pursues a policy of constant improvement. For this reason, all specifications are subject to change without notice.



FLAIR INTERNATIONAL CORPORATION

600 Old Willets Path • Hauppauge, New York 11788 • Tel: (516) 234-3600 • Fax: (516) 234-3610

TE50P2